



**EVEN
GLOW™**

IPS
Technology

HD
1080p

**Super
Narrow
Bezel**

**High
Bright**

55" 3000 nit LCD with Super Narrow Bezel

Model DS551LX4

The DS551LX4 combines the benefits of a high bright display with a super narrow bezel for tiled video wall applications. This model features a full HD 55-inch IPS LCD with a high brightness backlight producing up to a 3,000 nit image. Each screen comes individually color calibrated for exceptional color quality and uniformity among multiple displays. With an ultra slim 3.5 mm bezel-to-bezel width, screens can be placed side by side in a video wall matrix to create near seamless image.

Key Features

- Super narrow bezel for video walls
- High brightness 3,000 cd/m²
- IPS panel for superior color uniformity
- D65 color calibrated
- Built-in video wall daisy-chaining
- Direct LED backlit with local dimming
- *EvenGlow* uniform backlighting
- Blackening defect-free
- Portrait and landscape orientation

Screen image simulated.

55" 3000 nit LCD with Super Narrow Bezel

Model DS551LX4

PANEL

LCD Panel Type	54.64 inches IPS LCD
Native Resolution	1920 x 1080
Backlight	Direct LED
Brightness	2500 nits (typ), 3000 (max)
Default Color Temperature	D65 (6500 k)
Contrast Ratio	3,000:1 (static) 1,000,000:1 (dyn)
Response Time	12 ms (typ)
Viewing Angle	178° / 178°
Light Life Time	50,000 hrs (typ)
Blackening Defect Free	Up to 110°C (230°F)
Panel Surface	AG Haze 10%, 3H

POWER

Power Supply	Internal
Rated Voltage	100 V ~ 240 V, 50 Hz / 60 Hz
Power On Mode	300 W (typ), 500 W (max)
Power Saving Mode	< 1 W
AC Out	< 100 W

MECHANICAL SPECS

Bezel Width (T/B/L/R)	1.25 / 2.25 / 2.25 / 1.25 mm
Cabinet Color	Black
Monitor Dimension (LxHxD, w/o stand)	1213.4 x 684.2 x 110.5 mm
Monitor Weight (set/package)	40 kg / 46 kg
VESA Mounting (dimension)	400 x 400 mm / 600 x 400 mm
Orientation	Portrait / Landscape

USER INTERFACE

Language	English
Daisy Chain	DVI, RS-232
Proof of Image Retention	Yes
Dimming Control (DCR)	Yes
Built-in Video Wall Support	Up to 15x15
ID Setting for Daisy Chain	Yes
On/Off Scheduling	Yes
Ambient Light Sensor	Yes
Total Turn-on time	Yes
Internal Temperature Sensor	Yes
Network Control	RS-232, RS-485 (RJ45)
OSD Menu Rotation	Yes
Carrying Handles	Yes

I/O PORTS

DVI-D	In (x1), Out (x1)
RS-232	In (x1), Out (x1)
RJ-45	1

ACCESSORIES

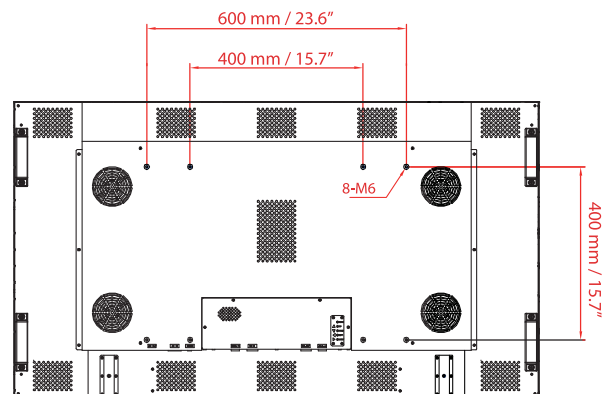
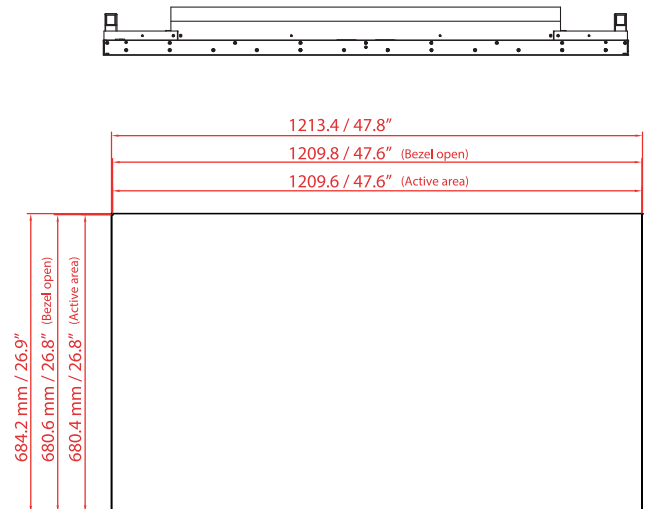
Remote Control	Yes
Users Guide / Driver CD-ROM	Yes
Video Cable	DVI
Power Cable	Yes

ENVIRONMENT

Operating Temperature	0° C ~ 45° C
Storage Temperature	-20° C ~ 60° C
Humidity	10% ~ 80% RH Non-Condensing

CERTIFICATION

CE / FCC / ROHS	
-----------------	--



110.5 mm / 4.4"

For More Information, Contact DynaScan:

Tel: +1 949-421-0348, +1 866-508-4848

Email: info@dynascanusa.com

Online: www.dynascanusa.com

All specifications subject to change without notice.